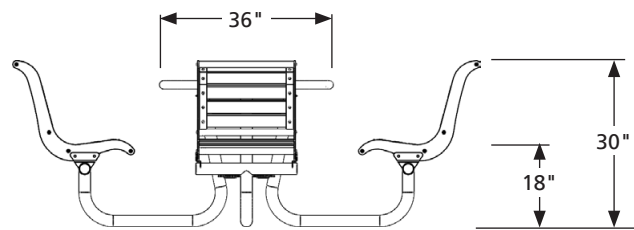
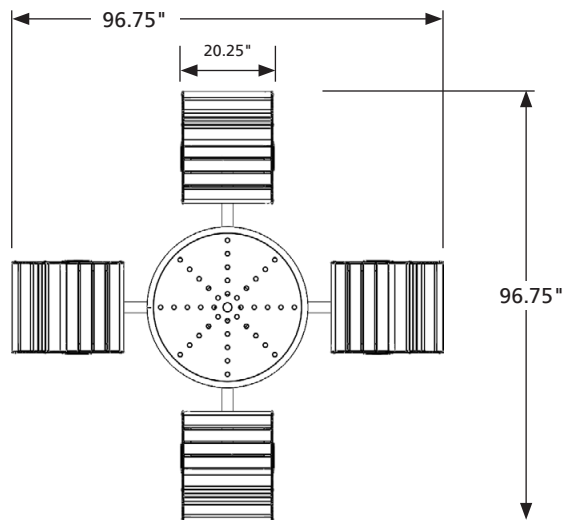




PICNIC TABLES

Model:	PT015I-P
Desc.:	Picnic Table - 36" (0.9m) Round - Portable
Capacity:	4-Person
Frame:	2.375" (60.3mm) Round Tubing
Seats & Top:	1" x 2.5" (25.4 x 63.5mm) Ipe Hardwood, 2.375" (60.3 mm) Round Tubing, 14Ga laser cut steel sheet.
Type:	Portable, Seats with Back
Options:	PT015I-P-A Accessible, Portable.
Finish:	Polyester powder coating applied electrostatically over sand blasted and zinc primer coated substrate.
Maintenance:	Periodically wipe down to keep clean. Apply Ipe oil annually by cloth and wipe clean to remove excess oil.



Dimensions:	IMPERIAL	METRIC
Length:	96.75"	(2457 mm)
Width:	96.75"	(2457 mm)
Seat Height:	18"	(457 mm)
Seat Width:	20.25"	(514 mm)
Table Width:	36"	(914 mm)
Table Height:	30"	(762 mm)