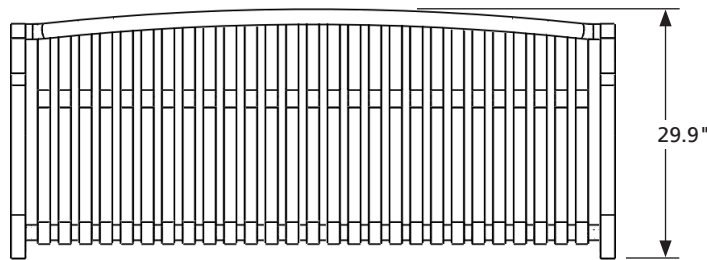
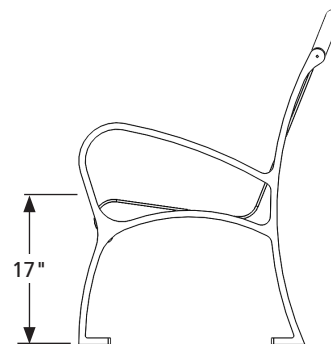
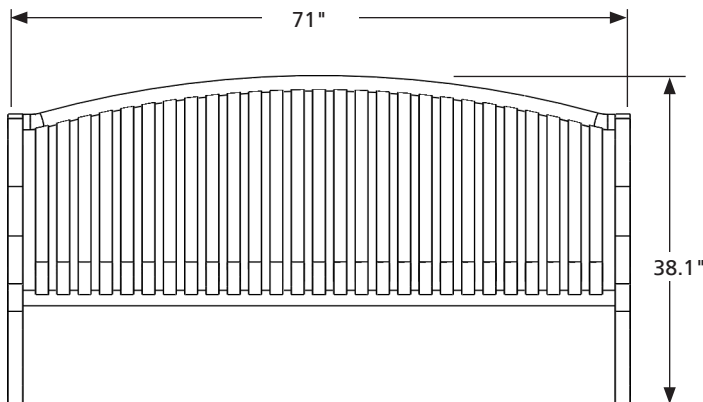




TAHOE SERIES

Model:	TVA6-AL
Desc.:	6' (1.83 m) Tahoe Aluminum Bench with Arched Back
End Frame:	Solid Cast Aluminum
Seat Section:	0.25" x 1.5" (6.35 x 38.1 mm) Aluminum Flat Bar and Aluminum Tubing
Type:	Modular Aluminum with Vertical Slat
Options:	NA
Finish:	Polyester powder coating applied electrostatically over substrate.
Installation:	Bench is assembled at factory. We recommend all benches be securely anchored using the holes provided in feet.
Maintenance:	Periodically wipe down to keep clean.



Dimensions:	IMPERIAL	METRIC
Length:	71"	(1803 mm)
Width:	29.9"	(759 mm)
Height:	38.1"	(968 mm)
Seat Height:	17"	(432 mm)