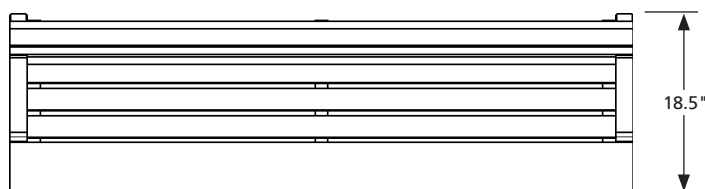
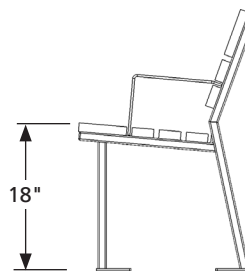
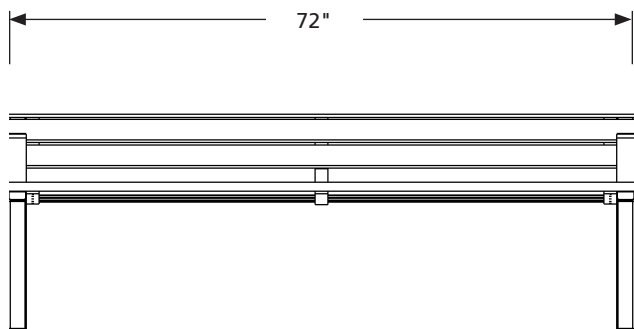




RIDEAU SERIES

Model:	RHI6-AR2-AL
Desc.:	6' Aluminum frame bench with back and two arm rests
End Frame:	1" x 2" (25.4 x 50.8 mm) rectangular aluminum tubing; 0.25" x 2" (6.35 x 50.8 mm) aluminum flat bar
Brace & Arm Rests:	0.25" x 1.5" (6.35 x 38.1 mm) formed aluminum flat bar
Seat Section:	1" x 2.5" (25.4 x 63.5 mm) and 1" x 5.5" (25.4 x 139.7 mm) Red Batu hardwood slats
Type:	All welded aluminum frame with horizontal Red Batu hardwood slats
Finish:	Polyester powder coating applied electrostatically over substrate.
Installation:	Bench is assembled at factory.
Maintenance:	Periodically wipe down to keep clean. Apply a good quality hardwood oil (linseed, teak, IPE) annually by cloth and wipe clean to remove excess oil.



Dimensions:	IMPERIAL	METRIC
Length:	72"	(1829 mm)
Width:	18.5"	(470 mm)
Height:	18"	(457 mm)
Seat Height:	18"	(457 mm)