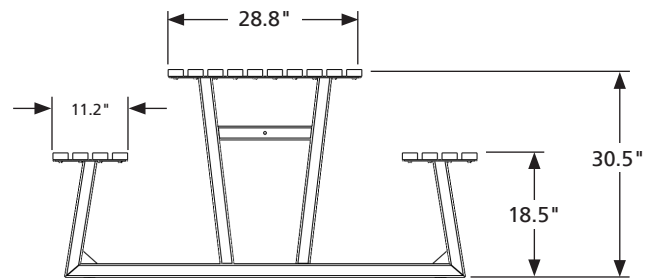
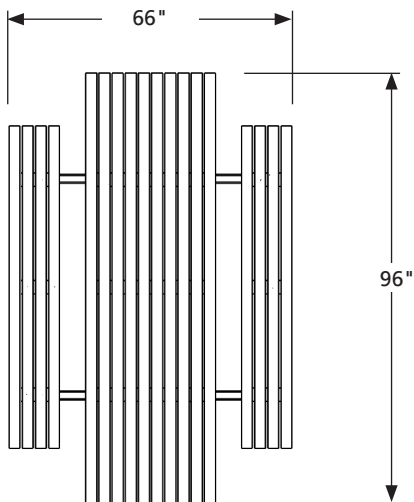




PICNIC TABLES

| | |
|--------------|---|
| Model: | PT002C-A-AL |
| Desc.: | Picnic Table - 8' (2.4 m) Accessible |
| Capacity: | 6-Person, 2 Wheelchair |
| Frame: | 2" (50.8 mm) Square Aluminum Tubing |
| Seats & Top: | 1.5" x 2.5" (38.1 x 63.5 mm) Cedar |
| Type: | Portable |
| Options: | PT002R-A-AL Accessible with Recycled Plastic; PT002I-A-AL Accessible with Red Batu hardwood |
| Finish: | Polyester powder coating applied electrostatically over substrate. |
| Maintenance: | Periodically wipe down to keep clean. |



| Dimensions: | IMPERIAL | METRIC |
|--------------|----------|-----------|
| Length: | 96" | (2438 mm) |
| Width: | 66" | (1676 mm) |
| Height: | 30.5" | (775 mm) |
| Seat Height: | 18.5" | (470 mm) |
| Seat Width: | 11.2" | (284 mm) |
| Table Width: | 28.8" | (732 mm) |