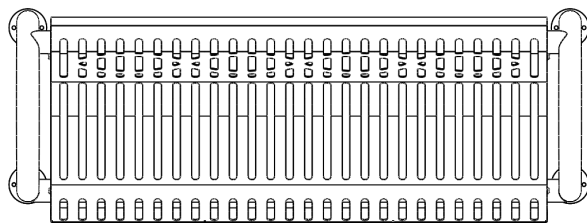
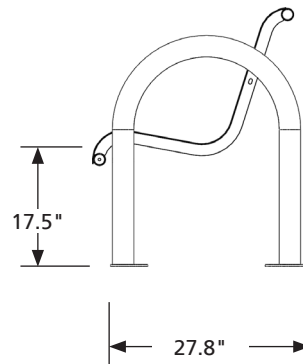
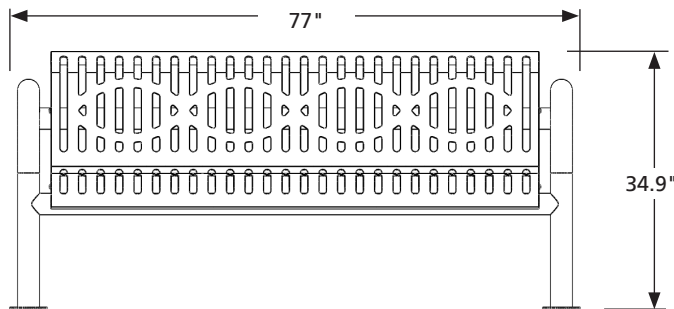




NIAGARA SERIES

Model:	NL6-AL
Desc.:	6' (1.83) Niagara Steel and Aluminum Bench with Back
End Frame:	2.875" (73 mm) Dia. x 8 Ga (4.2 mm) Galvanized Steel Tubing
Seat Section:	Laser Cut Aluminum 8 Ga (3.25mm)
Type:	Modular Steel with "Erie" Vertical Slot & Wave Pattern
Finish:	Polyester powder coating applied electrostatically over sand blasted and zinc primer coated substrate
Options:	Also Available in Backless Version NLB6-AL
Installation:	Bench is assembled at factory. We recommend all benches be securely anchored using the holes provided in feet.
Maintenance:	Periodically wipe down to keep clean.



Dimensions:	IMPERIAL	METRIC
Length:	77"	(1956 mm)
Width:	27.8"	(706 mm)
Height:	34.9"	(886 mm)
Seat Height:	17.5"	(445 mm)