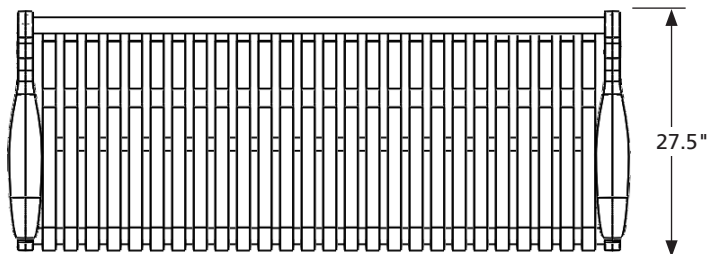
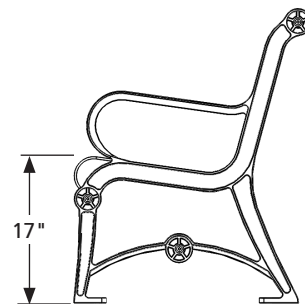
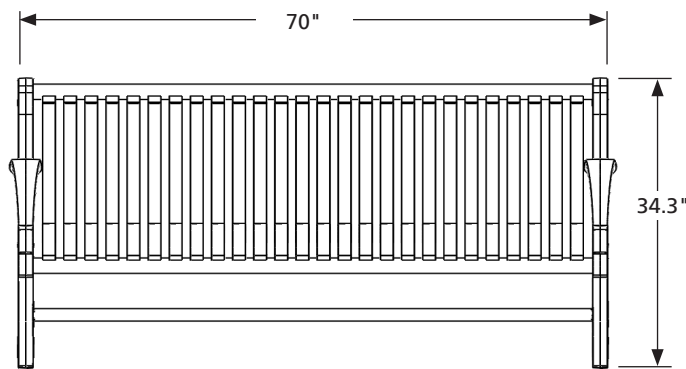




HURON SERIES

Model:	HV6-AL
Desc.:	6' (1.83 m) Huron Bench with Back
End Frame:	Solid Cast Aluminum
Seat Section:	0.25" x 1.5" (6.35 x 38.1 mm) Aluminum Flat Bar and Aluminum Tubing
Type:	Modular Aluminum with Vertical Slat
Options:	Also Available in 4' (1.22m)
Finish:	Polyester powder coating applied electrostatically over substrate.
Installation:	Bench is assembled at factory. We recommend all benches be securely anchored using the holes provided in feet.
Maintenance:	Periodically wipe down to keep clean.



Dimensions:	IMPERIAL	METRIC
Length:	70"	(1778 mm)
Width:	27.5"	(699 mm)
Height:	34.3"	(871 mm)
Seat Height:	17"	(432 mm)